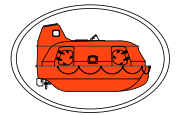




ENHANCED SAFETY KIT FOR OFFSHORE CAPSULES

SURVIVAL
SYSTEMS
INTERNATIONAL



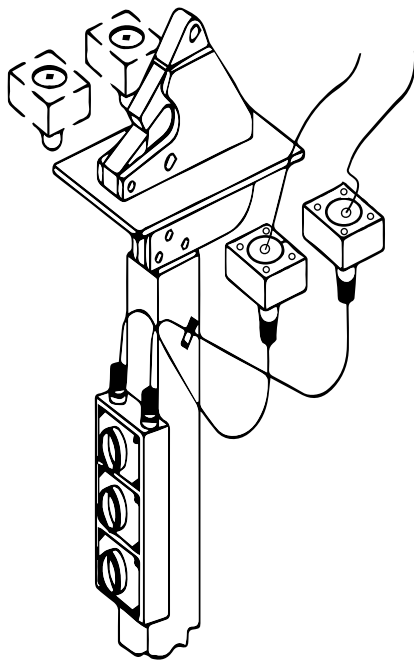
ADDED FEATURES - DESIGNED FOR YOUR CAPSULE - OEM CERTIFIED COMPONENTS - INSTALLED ONSITE - ADDED SAFETY

POWER FEED THROUGH KIT

MODELS: Currently available for all SSI Capsules

SAFETY BENEFITS:

This kit is designed to provide 120V 60Hz power within the capsule to be used by other interior devices. The connection means from the exterior power source to the interior plugs must automatically disconnect as the capsule is lowered. This system includes two receptacles on the top of the capsule dome that connect to the plug assembly from the transform to accept incoming AC power. These receptacles allow safe separation of the plugs, and disconnection of power, when launching the capsule.



INTERIOR VIEW

Devices that use 120VAC from Power Feed Through Kit:

- Space Heater
- Engine Block Heater
- Dehumidifier
- Radio Devices



POWERTITE RECEPTACLES

WHAT ARE ESK's?

ESK's are SSI's engineered packages of additional components (or modified components) to "add-on" to your existing SSI offshore capsule, winch and/or platform. The goal of these kits is to offer additional functionality, ease of operation and ultimately added safety to your Survival Systems International equipment. Since SSI is the OEM of your equipment, as well as the designer and manufacturer of these Enhanced Safety Kits, the installation process is seamless and cost effective.



www.survivalsystemsinternational.com/saudi-arabia



+966 138330919



info@i-energy.com

Survival Systems International is proud to be "Your Partner in Safety".