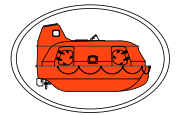




# ENHANCED SAFETY KIT FOR OFFSHORE CAPSULES

SURVIVAL  
SYSTEMS  
INTERNATIONAL

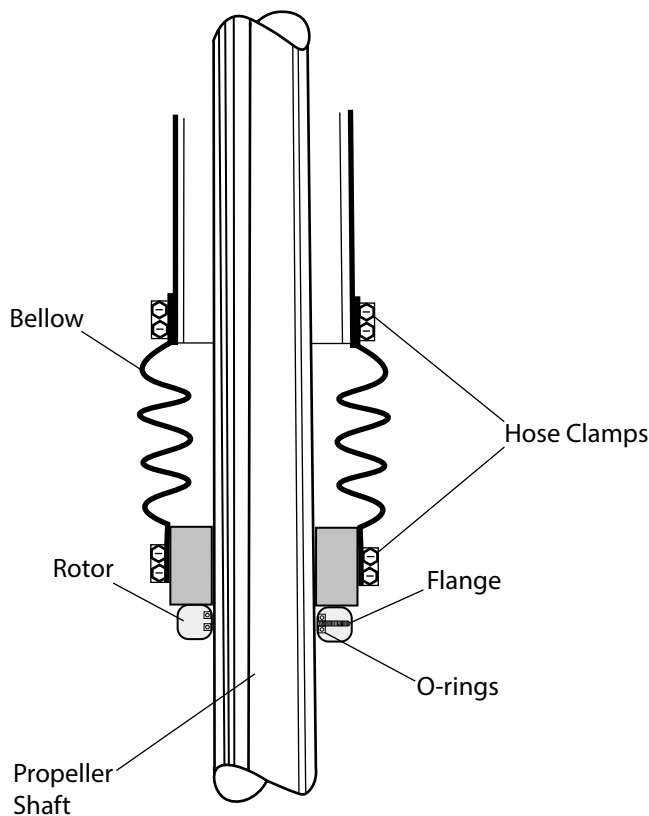


ADDED FEATURES - DESIGNED FOR YOUR CAPSULE - OEM CERTIFIED COMPONENTS - INSTALLED ONSITE - ADDED SAFETY

## DRIP-LESS SHAFT SEAL KIT

**MODELS:** Currently available for all SSI Capsules.

**SAFETY BENEFITS:** The SSI approved Drip-less Shaft Seal upgrade removes the necessity for regular "In-Water" verification of wax/rope packing. By adopting a sealed shaft unit routine monthly and annual maintenance of the through hull fitting can be concluded from within the capsule. This kit saves the user both time and money when dealing with routine maintenance.



### WHAT ARE ESK's?

ESK's are SSI's engineered packages of additional components (or modified components) to "add-on" to your existing SSI offshore capsule, winch and/or platform. The goal of these kits is to offer additional functionality, ease of operation and ultimately added safety to your Survival Systems International equipment. Since SSI is the OEM of your equipment, as well as the designer and manufacturer of these Enhanced Safety Kits, the installation process is seamless and cost effective.



[www.survivalsystemsinternational.com/saudi-arabia](http://www.survivalsystemsinternational.com/saudi-arabia)



+966 138330919



[info@i-energy.com](mailto:info@i-energy.com)

Survival Systems International is proud to be "Your Partner in Safety".