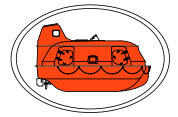




# ENHANCED SAFETY KIT FOR OFFSHORE CAPSULES

SURVIVAL  
SYSTEMS  
INTERNATIONAL



ADDED FEATURES - DESIGNED FOR YOUR CAPSULE - OEM CERTIFIED COMPONENTS - INSTALLED ONSITE - ADDED SAFETY

## CAPSULE STRETCHER KIT

**MODELS:** Currently available for all SSI Capsules.

**SAFETY BENEFITS:**

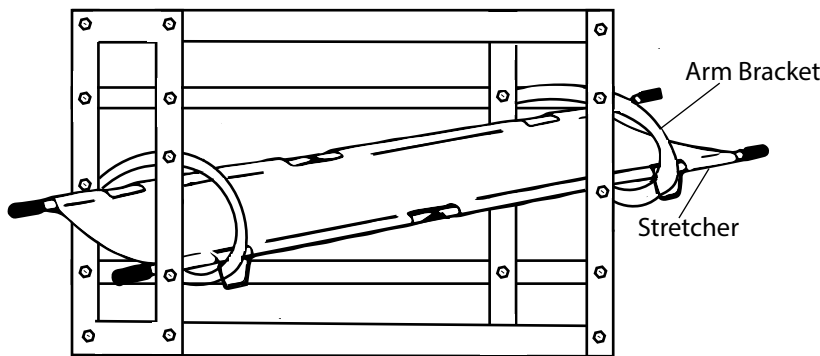
This kit provides the actual stretcher and all supporting brackets to support the stretcher inside the capsule. This kit can be installed during new construction or provided as an add-on to existing capsules. Stretcher configurations are available for all model SSI Capsules with zero reduction of space for your crew.

**Specifications:**

- Folds lengthwise and crosswise for compact storage
- Rugged spreader bars and legs that provide support and comfort
- Heavy-duty aluminum poles for easy handling
- Durable, vinyl-coated nylon cover resists stains and will not absorb blood or bodily fluids.
- Nonslip hand grips for firm control while handling

**Components Include:**

- Stretcher
- Mounted stretcher arm brackets within capsule
- Safety belts for stretcher and patient



CAPSULE INTERIOR



**WHAT ARE ESK's?**

ESK's are SSI's engineered packages of additional components (or modified components) to "add-on" to your existing SSI offshore capsule, winch and/or platform. The goal of these kits is to offer additional functionality, ease of operation and ultimately added safety to your Survival Systems International equipment. Since SSI is the OEM of your equipment, as well as the designer and manufacturer of these Enhanced Safety Kits, the installation process is seamless and cost effective.



[www.survivalsystemsinternational.com/saudi-arabia](http://www.survivalsystemsinternational.com/saudi-arabia)



+966 138330919



[info@i-energy.com](mailto:info@i-energy.com)

Survival Systems International is proud to be "Your Partner in Safety".